

Excelon® Pro
General purpose filter
 ø 6 ... 12 mm, G 1/8 ... G 3/8

Selected options provides ease of ordering

Configuration flexibility

Excellent value

No tools required for assembly

RoHS compliant



Technical data

Medium:

Compressed air

Operating pressure:

Manual drain: 12 bar max.

Automatic drain: 10 bar max.

Ambient temperature:

-20°C* to +52°C

* Consult our Technical Service for use below +2°C

Element:

5 µm

Flow:

19 dm³/s (1140 l/min) max.

port size G 1/4, inlet pressure 6,3 bar

Drain:

Automatic drain operating conditions (float operated):

Bowl pressure required to close drain: > 0,3 bar

Bowl pressure required to open drain: ≤ 0,2 bar

Minimum air flow required to close drain: 0,1 dm³/s (6 l/min)

Manual operation: depress pin inside drain outlet to drain bowl

Ordering information

See page 2

Materials:

Body: PBT

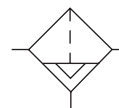
Transparent bowl: Polycarbonate

Element: Polypropylene

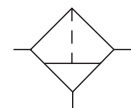
Elastomers: Bowl O-ring - Neoprene

All others - Nitrile

Internal parts: Acetal



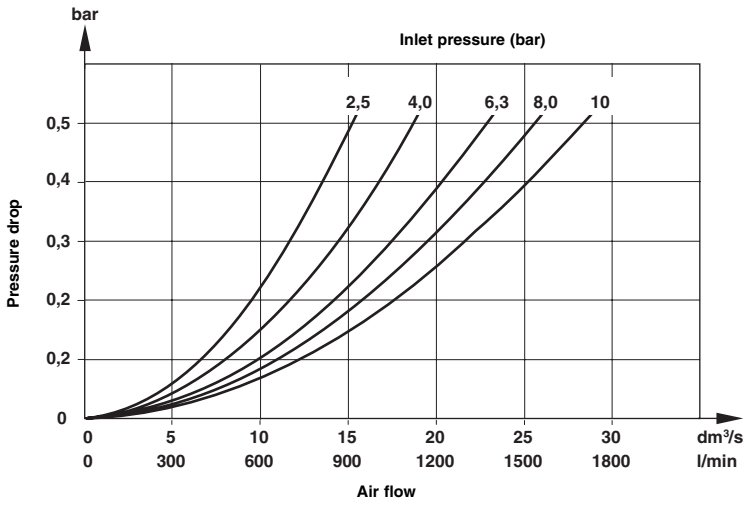
Automatic drain



Manual drain

Flow characteristics

1/4" ports, 5 µm filter element



Standard models

Port Size	Model	Drain	Flow dm³/s *1)	Weight (kg)
G 1/4	F92G-2GN-QT1	Manual	19 (1140 l/min)	0,19
G 1/4	F92G-2GN-AT1	Automatic	19 (1140 l/min)	0,19

*1) Typical flow with at 6,3 bar inlet pressure and a 0,35 bar pressure drop.

Ordering example

Filter - G 1/4 with mounting bracket, manual drain, transparent bowl, 5 µm element.
Quote: F92G-2GN-QT1

Options selector

F92G-★★N-★T1

Connector with mounting bracket	Substitute
6 mm Push-In fitting	6D
8 mm Push-In fitting	8D
10 mm Push-In fitting	AD
12 mm Push-In fitting	BD
G 1/8	1G
G 1/4	2G
G 3/8	3G
Connector without mounting bracket	Substitute
G 1/4	2V
Connector	Substitute
Without	NN

Drain	Substitute
Manual	Q
Automatic	A

Accessories

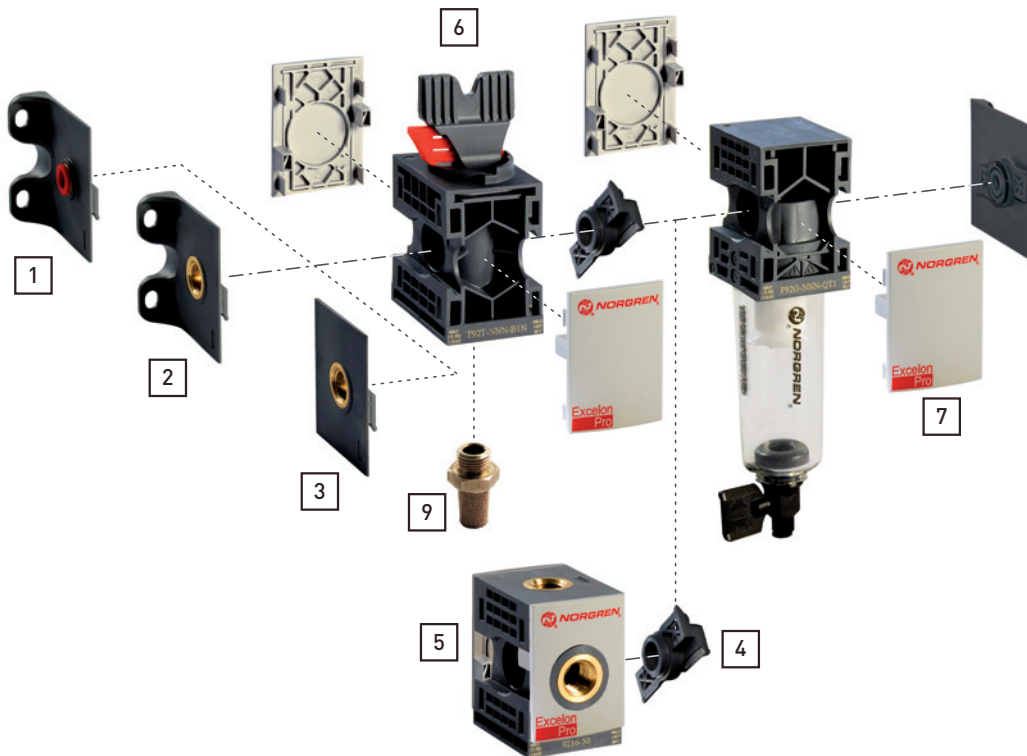
	Push-in fitting connector with mounting bracket	Threaded connector with mounting bracket	Threaded connector without mounting bracket
Port size	1	2	3
G1/8	-	9212KIT-1G	-
G1/4	-	9212KIT-2G	9211KIT-2V
G3/8	-	9212KIT-3G	-
ø 6 mm	9213KIT-6D	-	-
ø 8 mm	9213KIT-8D	-	-
ø 10 mm	9213KIT-AD	-	-
ø 12 mm	9213KIT-BD	-	-

	Quick connector	Porting block Plugs not included	Lockout/shut-off valve with exhaust port	Locking plate	Locking plate front plate of porting block	Silencer for shut-off valve
	4	5	6	7	7	9
	9210-50	9216-51	T92T-NN-B1N	9236-88/X10 (quantity 10)	9236-89/X10 (quantity 10)	T40M0500

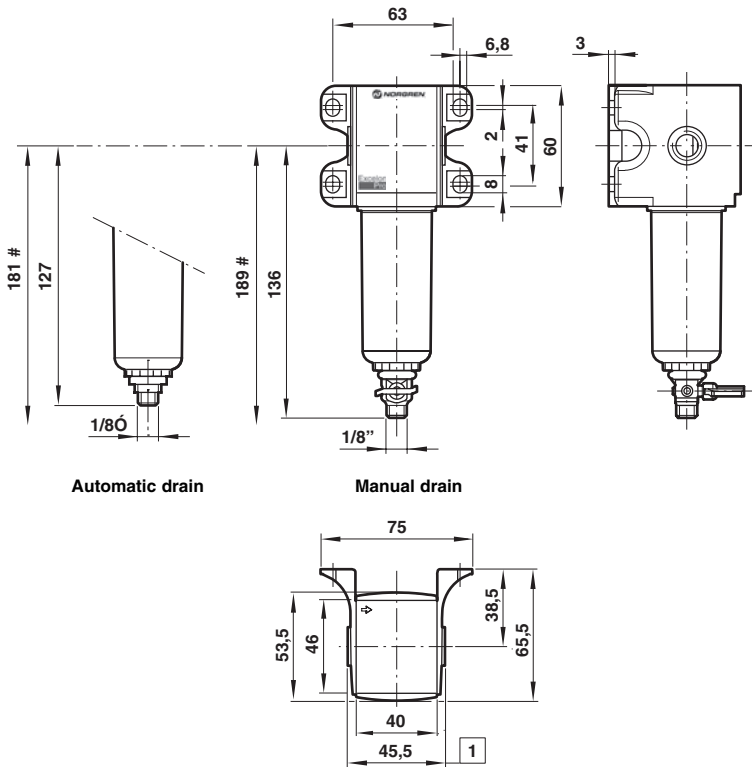
Service kit

Service kit	Automatic drain
F92G-KIT	4000-50R

Warning
Locking plates **MUST** be in place before pressurizing any Excelon Pro unit.

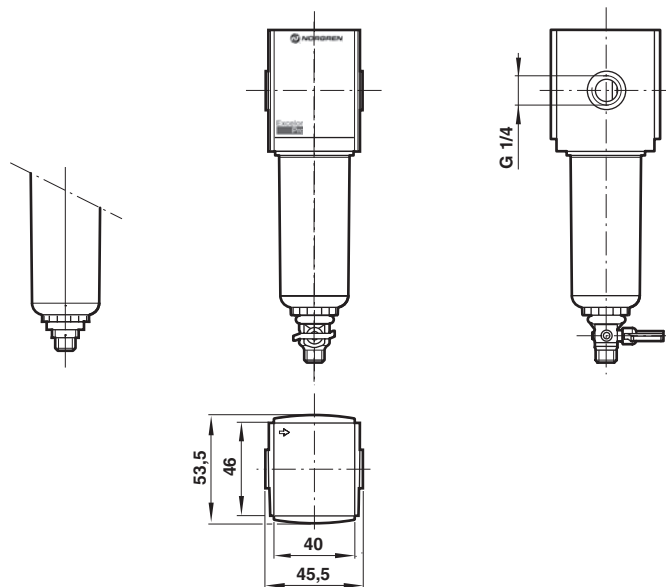


Filter with wall mounting bracket

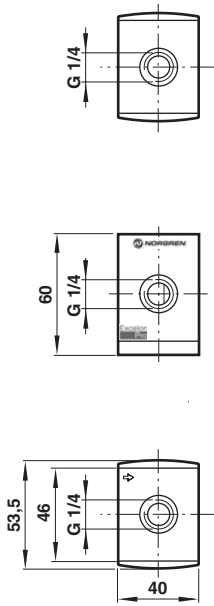


#	Minimum clearance required to remove bowl
1	Connector Dimensions 1/8" and 1/4" threaded connectors shown. See below for port-to-port dimensions for additional connectors.
	PIF Connector
	6 mm, 8 mm
	10 mm, 12 mm
	Threaded connector
	1/8", 1/4" 45,5
	3/8" 76

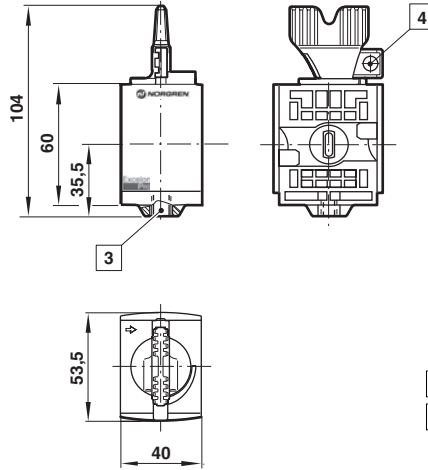
Filter without mounting bracket, G 1/4 port size



Porting block



Lockable/shut off valve



- 3** M5 exhaust port
- 4** Lever lockable only in closed position. Standard clip accepts ø 7 mm shackle.

Warning

These products are intended for use in industrial compressed air systems only. Do not use these products where pressures and temperatures can exceed those listed under **'Technical Data'**.

Before using these products with fluids other than those specified, for non-industrial applications, life-support systems, or other applications not within published specifications, consult NORGREN.

Through misuse, age, or malfunction, components used in fluid power systems can fail in various modes.

The system designer is warned to consider the failure modes of all component parts used in fluid power systems and to provide adequate safeguards to prevent personal injury or damage to equipment in the event of such failure.

System designers must provide a warning to end users in the system instructional manual if protection against a failure mode cannot be adequately provided.

System designers and end users are cautioned to review specific warnings found in instruction sheets packed and shipped with these products.